



Hunter

stoves



Living Design

The heart of the home



Stylish. Solid. Efficient.



Hunter Stoves are built on over 40 years of expertise – and equipped to face the future.

Hunter Warranty



Whichever model you choose, you can now enjoy better performance, more options, and a cleaner future.

How will a Hunter stove look in your home? Turn the page and be inspired.

All Hunter Stoves now come with the option of a 2-5 year warranty. This is only valid if the stoves are serviced annually on the anniversary of installation.

For details of the warranty specifications please see page 33 under F.A.Q's and visit our website www.hunterstoves.co.uk for full Terms and Conditions.

Contents

Contemporary, traditional, double or single door? Style your stove to suit your home.

Kestrel 5	page 2
Compact 5	page 4
Herald 5 Inset	page 6
Herald 7 Inset	page 8
Hawk 3 & 4	page 10
Herald 4	page 12
Herald 5 Slimline	page 14-17
Herald 6	page 18-21
Herald 8 Slimline	page 22
Inglenook	page 24
Double Sided	page 26
Living Design range	page 28
Cleanburn technology	page 30
FAQs	page 32
Technical Key	page 34
Options	page 36
Technical specifications	page 38-43



Hawk 4 Double Sided



Warm inside...

Not just a pretty stove:
the Kestrel 5 is
eco-friendly, too



Kestrel 5

Super-efficient and supremely stylish, the Kestrel brings an elegant warmth to your home. This stove is neatly proportioned and simply styled for a look that suits any kind of decor. The clean design is matched with a clean nature: a hot airwash keeps the glass clear, and a cool-touch handle allows you to riddle the grate swiftly. Once installed, the only impact the Kestrel 5 will have on your life is a heart-warming one. So pile it with logs or other approved fuel and bask in a surprising blaze of around 5kW. Better than weeknight telly any day.

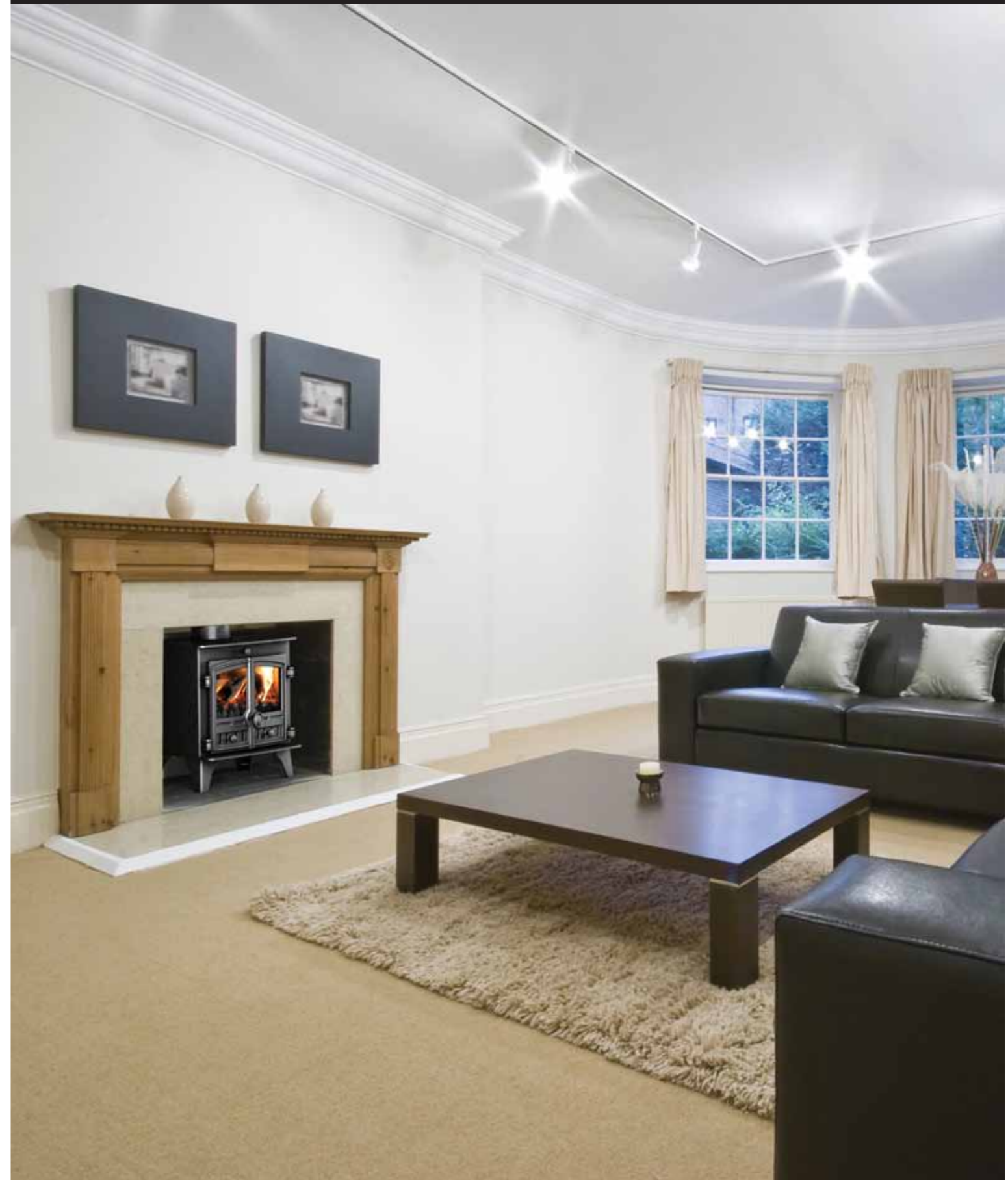


Captivatingly compact

Creating an intimate atmosphere?
The Compact 5 is scaled down without compromise



Here's a scaled-down version of our classic Herald 5 – perfect for small and cosy rooms. Just like its ancestors, this one has plenty of traditional charm and all the usual options. You can choose your finish (with shades to suit your room) and doors (single or double). And yes it's compact, but no less complete: you'll enjoy a magnificent 5kW output thanks to the built-in Tripleburn technology, designed to get the best performance from your fuel. Ready to think big? Squeeze in the deceptively small Compact 5 and light up the room.



Compact 5



A perfect fit

The Herald 5 Inset is an elegant design solution for closed-off fireplaces.



Want to introduce some charm to your living room? A closed-off fireplace no longer precludes you from choosing a multi-fuel stove. The Inset delivers all of the Herald 5's charm and cosiness, in a stove perfect for modern fireplaces. Drawing on over 40 years of expertise, our engineers have built an efficient 3-4kW, multi-fuel model – then added all the charming touches that we're known for. Choose your finish, your doors, and your windows, and install a little history in your home.



Herald 5 Inset

There are many fire surrounds on the market that are only suitable for gas or electric inset fires.

sections and slabbed. For advice on a suitable surround contact your local dealer.

Suitable surrounds for solid fuel inset appliances are usually cut in 3

Herald 5 Inset with contemporary single door

Herald 5 Inset with double plain doors



Your new centrepiece

Make a blazing statement. The Herald 7 Inset is a modern masterpiece.



Herald 7 Inset with double crossed doors

Herald 7 Inset with contemporary single door

Bigger, better, and brighter than ever: the Herald 7 Inset is a roaring stove for your contemporary or traditional fireplace. It's swiftly and unobtrusively fitted, with just 190mm of visible depth. But behind the door, this sleek stove burns logs (or other approved fuel) to produce an astonishing output of up to 5kW (max). Enjoy all of the benefits of a real fire, with almost none of the hassle: the Herald 7 Inset features our famous airwash to keep the glass clear, and a cool-touch handle to make riddling quick and easy. Forget fake flames – the Herald 7 is just what your fireplace always wanted.

Herald 7 Inset

There are many fire surrounds on the market that are only suitable for gas or electric inset fires.

sections and slabbed. For advice on a suitable surround contact your local dealer.

Suitable surrounds for solid fuel inset appliances are usually cut in 3



Small but Fiery

Stove of petite proportions seeks new family for bedtime cocoa and cosy nights in



Hawk 3 & 4

The Hawk is sure to surprise you. It can be squeezed into the smallest places – but this neat little stove makes no compromise on heat output. It's capable of producing up to 4.5kW of heat from logs or smokeless fuel (Hawk 3 has a max output of 4kW). And there's no skimping on design: it boasts all the features of our larger stoves, including a cool-touch riddling handle and innovative Cleanburn technology. This may be our smallest model, but it's a feisty one.

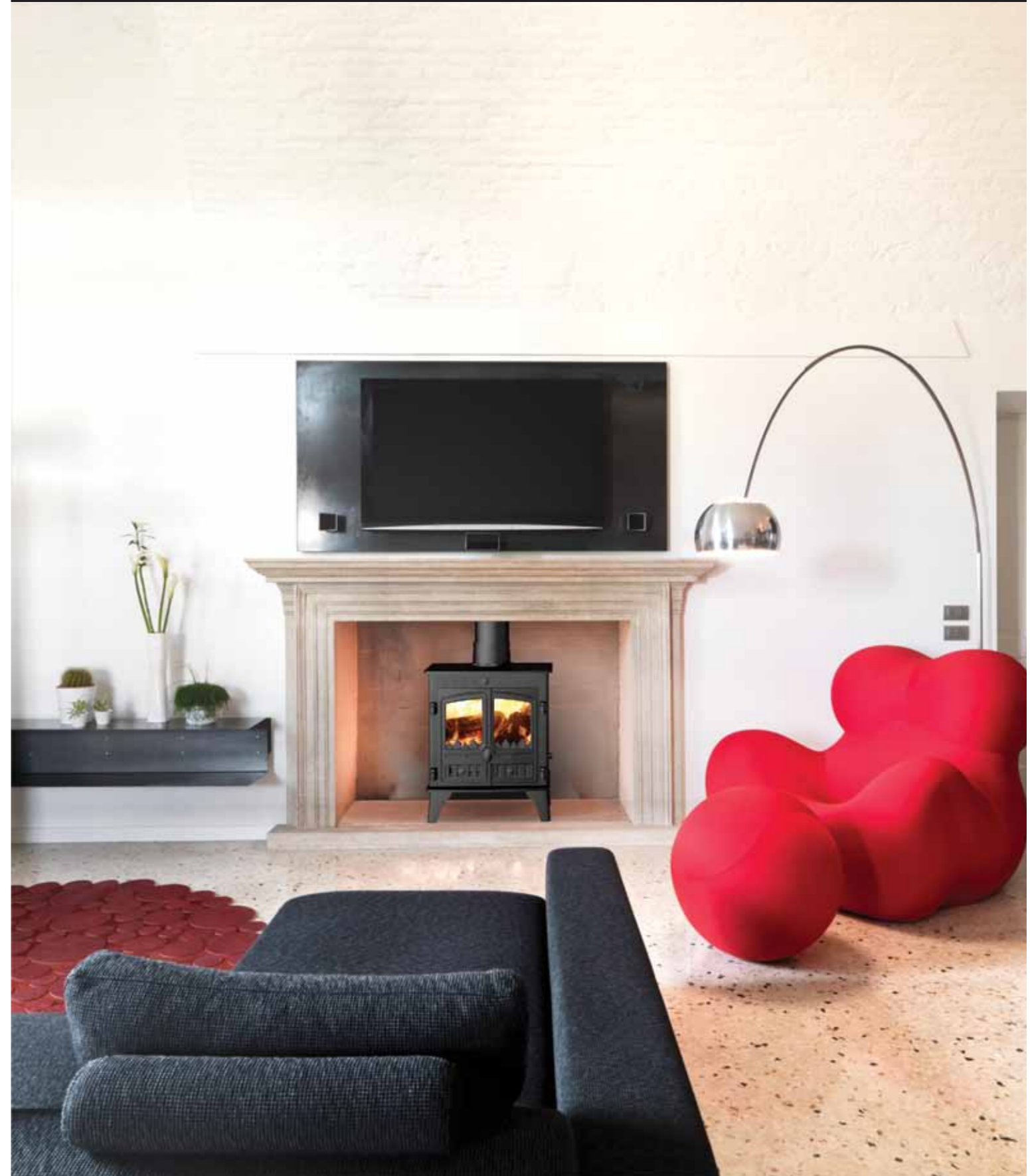


A lifelong favourite

The Herald 4 exudes old-fashioned warmth. Every home needs a stove like this



Aspiring interior decorators swoon over the elegant design, choice of coloured finishes, and stylish details. Yes, the Herald 4 has plenty of character, but don't be too distracted by its good looks. Choose the Herald 4 for its efficiency, its capacity, and its convenience. It takes logs or smokeless fuel and provides a heat output of 5kW (max) – our Cleanburn technology means the heat is directed into your room, not your atmosphere. Now, what about those colours? Turn to page 32 to choose.



Herald 4

Herald 4 Flat Top with contemporary single door

Herald 4 Flat Top with double plain doors



Design your own

The customisable
Herald 5.
Engineered by our experts,
and styled by you



Our popular Herald 5 Slimline is a slimmer version of the tried and tested classic. We've made no compromise on performance, just built it to suit a shallower fireplace – with all the usual Hunter extras. Choose your finish, your doors, or add an optional canopy; the Herald can be as traditional or as simple as you like. The new version of our classic Herald 5 incorporates Cleanburn technology and a hot airwash to keep the glass clean and clear. Now it's all yours to customise for your home.



Herald 5 Slimline



Room with a view

Enjoy the drama
and beauty of real flames in
stunning widescreen.



Herald 5 Slimline

There's something elementary about making a fire: no wonder the roaring flames become so hypnotic. Choose the Herald 5 Slimline with a single door and make it a real feature in your living space. This stove is an old favourite, decorated with traditional detailing and updated with our high-spec technology for a clean, efficient burn. The single door option puts a modern twist on the design, making the fireplace a natural focus as the night draws in.

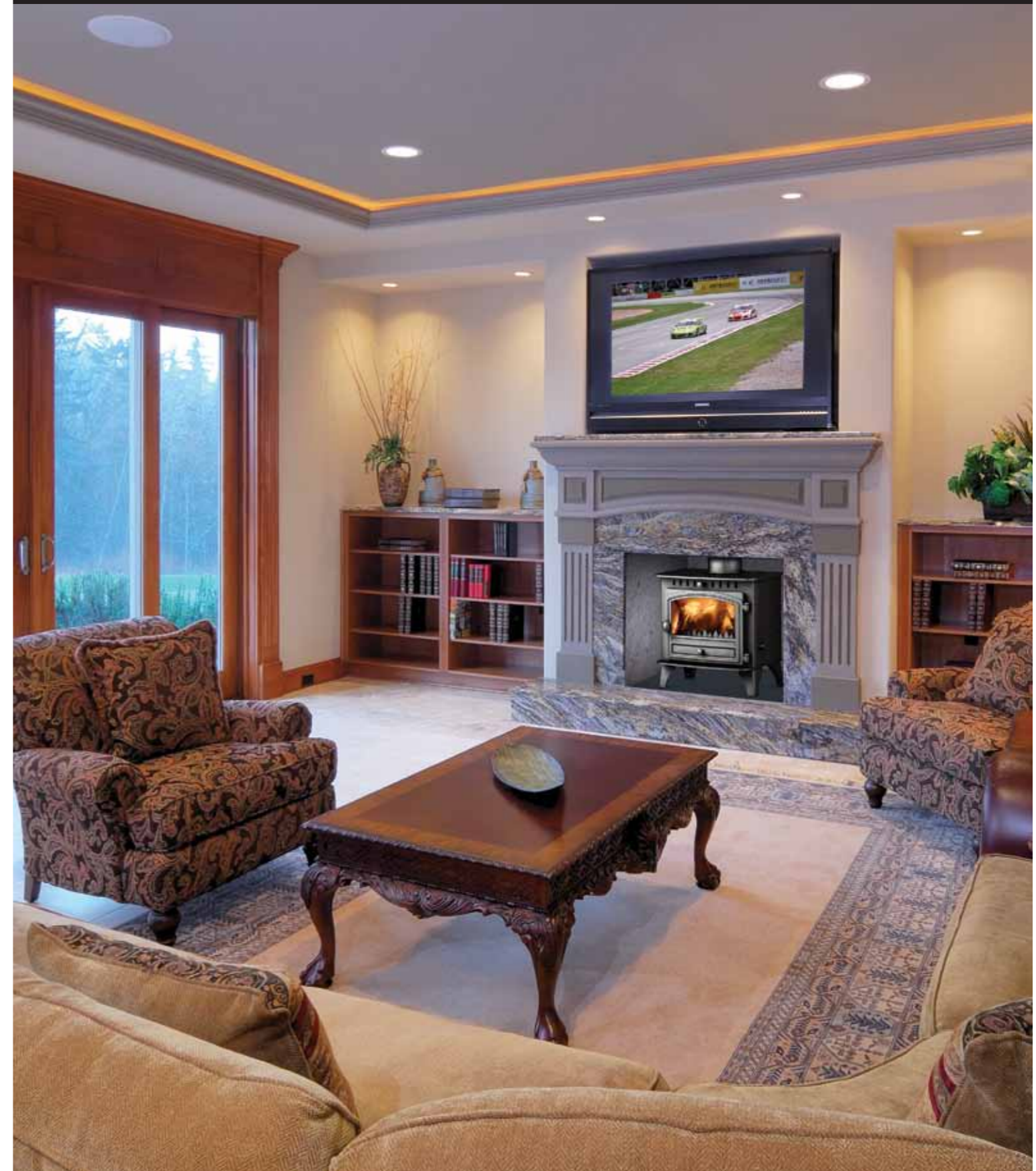


A winning design

A winning design
The heart-warming Herald 6
will become the pride of
your home



The Herald 6 is the envy of its competitors. That's because it boasts an output of up to 6.5kW, which is very high for its size. Don't be fooled by its modest footprint and simplified styling; inside, the Herald 6 is packed with features that mean you'll always get the most from it. An airwash keeps the glass clean, and our innovative Cleanburn technology maximises combustion for a better, cleaner burn.



Herald 6



Make it yours

With lots of options,
the Herald 6 is a personal
choice



The Herald 6 is available in plenty of options, giving you flexibility to design a stove that will suit your décor. The double-door, with optional removable crossed doors, has a warmly traditional look. The single door gives you a wider viewing space. Choosing the door is just your first step; next decide whether you'd like the optional canopy or back boiler (capable of running two radiators), and which finish will complement your room.

Herald 6



Relax and slow-burn

Kick off your slippers.
The trusty Herald 8 Slimline
is a reliable companion



It may stick out less, but the Herald 8 Slimline won't go unnoticed. This high-powered model delivers outstanding performance from a smaller fireplace. Designed with less depth, the stove can still accommodate logs of up to 19 3/4" long. The Cleanburn system ensures that the fuel gives its utmost, driving heat directly into the room. You'll hardly need to tend it, and you certainly won't need to clean it often: a hot airwash keeps smoke from the glass window. Delivering a heat output of up to 7kW, the multi-fuel Herald Slimline 8 is all give and no take.



Herald 8 Slimline

Herald 8 Slimline with double crossed doors and low canopy kit

Herald 8 Slimline flat top and double plain doors



Vintage chic

Stylish, straightforward,
and fuel efficient.
Welcome to the good life



Choose the Inglenook for a traditional fire in the heart of the home. With its unique canopy and wide footprint, this stove is as practical as it is beautiful. Producing a maximum heat output of 7kW, it's ideal for the larger fireplace and designed to burn logs and smokeless fuel cleanly and efficiently. Choose to have it with or without the canopy and select your finish from a choice of three to create your perfect fireplace. Just the place to curl up for a bedtime story.



Inglenook



Instant wow factor

Open-plan living
is chic – but can be cold.
Warm it up in moments



Open on both sides, this dramatic stove radiates heat throughout the space, transforming your environment with flickering firelight. Choose from the Hawk 4 or Herald 6 for your double-sided stove. Each can be built with a single or double depth, giving you a larger fuel bed and even better heat output. Finally, customise your choice with a canopy or door crosses and Midnight, Forest Green, or Cloudy Blue finish.



Double Sided



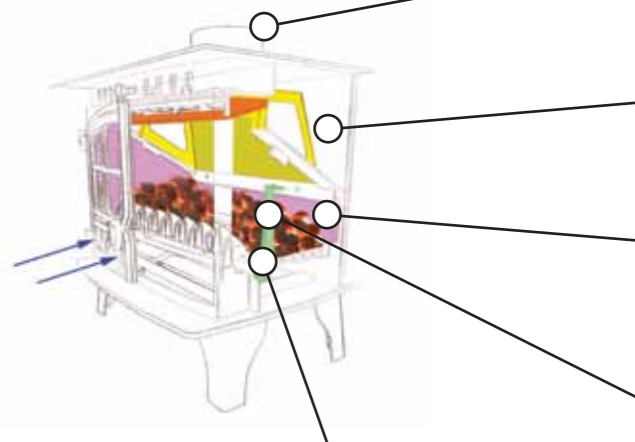
Living Design Range



Independently CE Tested and Approved
Specified stoves in the Living Design Range have been independently certified meeting the stringent CE requirement.

New Hunter Cleanburn Technology
Cleanburn technology means that more of the fuel is ignited, resulting in an increased heat output, less smoke, and a cleaner environment.

Exceptionally Efficient
Currents of air inside the stove ensure that fuel is burnt evenly and efficiently.



Safe and Efficient for Over-Night Burning
By reducing the air inflow to an absolute minimum, you can keep the fire gently smouldering overnight. Come morning, increase the air flow and the fire will return to life.

Dust Free, Safe and Easy Riddling
The riddling tool enables you to clean the grate without causing clouds of dust. Just move it back and forth with the doors closed.

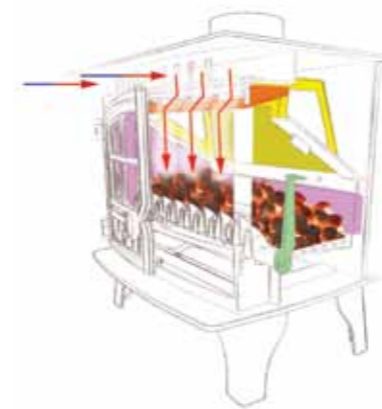
Interchangeable Flue Outlets
Free standing stoves in the Living Design Range can be flued from either the top or the rear of the stove.

Easy Access for Chimney Sweeping
Every stove features a removable throat-plate, giving full and easy access for sweeping the chimney.

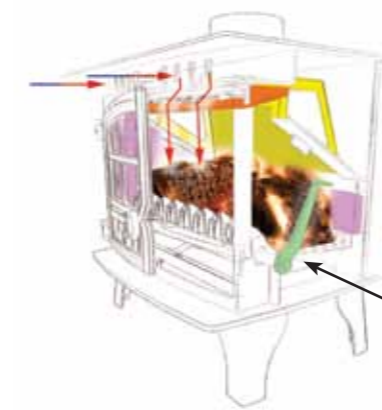
Internal Lining System
The new internal lining system maximises the firebox temperature, ensuring complete combustion.

Cold-handled Riddling Tool
The cold-handled riddling tool can be used for opening and closing the doors, riddling the grate, grate adjustment and easy removal of the ash-pan.

From Wood to Multi-Fuel with a Single Movement of the Tool
The stove's integral grate can be changed from wood to multi-fuel setting with a single movement of the cold-handled riddling tool.

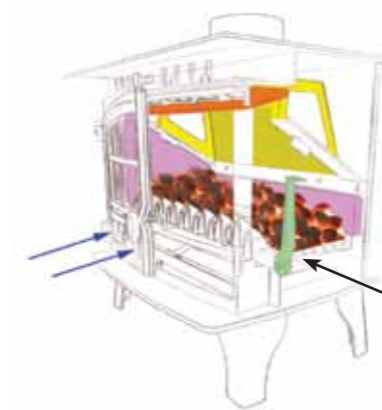


No need to scrub the glass door
Our innovative airwash draws air from the top of the stove, heats it up in the central air chamber and then sends it down behind the glass door, creating a screen between the fire and the glass. Smoke or combustion particles do not come into contact with the glass, so you don't need to clean it.



Grate in 'back' closed position for burning wood

Optimum Woodburning Conditions
Three streams of hot air ensure that fuel is burned efficiently by maximising combustion. For wood, close the grate and allow a deep bed of ash to build up - the optimum conditions for combustion.



Grate in 'forward' open position for burning solid fuel

Optimum Smokeless Fuel Burning Conditions
When you're burning smokeless fuel, just switch the grate to the open position. Air flows beneath the grate and into the heart of the fire - the optimum conditions for burning solid fuel.



Cleanburn Technology



CLEANBURN is our innovative new technology – it's not just better for the stoves, it's also better for the environment.

The idea behind Cleanburn is to maximise combustion, so that more fuel is burnt and less is turned into deposits in the stove, chimney, or atmosphere.

Our Cleanburn stoves have been proven to have lower emissions, which makes them among the most eco-friendly models on the market.

Virtually all of the Hunter stoves are approved twice; for burning both wood and smokeless fuel



'Tertiary Air' re-ignites the un-burnt gases ensuring a cleaner burn.

NB: 'Tertiary Air' is not available on the Hawk 3 and Herald Inset 5

The New Hunter **'Internal Lining System'** maximises the firebox temperature, ensuring complete combustion.





F.a.q.s

DOES HUNTER SELL DIRECT TO THE PUBLIC?

No. We have a network of trusted dealers with showrooms throughout the UK and Europe. To locate your nearest dealer please visit our website www.hunterstoves.co.uk and use our Dealer Locator link on the home page.

HOW DO I GET MY NEW STOVE INSTALLED?

Installation must be carried out by a Hetas-approved or similarly qualified engineer and must be in accordance with Building Regulations. To investigate the suitability of your chimney, contact your local dealer, who will be pleased to arrange a site visit. This is very important, because the condition of your chimney will determine how well your stove performs; a poor chimney system will affect its efficiency. Any existing flue must be swept and inspected before installation of the stove. All multi-fuel/wood burners must be installed in a class 1 chimney.

WHAT IF I DON'T HAVE A CHIMNEY?

There are many different flue systems available. Please contact your local dealer/ flue installer, who will be able to give you personal advice.

CAN I CONNECT TWO STOVES TO ONE FLUE SYSTEM?

No. All Hunter Stoves must be individually flued.

MY STOVE HAS A 6" FLUE COLLAR; CAN I INSTALL IT ON A 5" FLUE?

No. The internal diameter of the flue must be no smaller than the appliance flue collar for its entire length. If burning wood on a stove with a 5" outlet a 6" liner must be fitted.

DOES MY CHIMNEY NEED LINING?

This is to be decided by your qualified Engineer.

DO I NEED AN AIR BRICK?

Yes if the output is above 5kw.

WHAT TYPE OF FUEL CAN I USE?

The quality of fuel will dictate the performance of your Hunter Stove.

WOODBURNING

Burn only dry, well seasoned wood. For best results, use dry wood, with a moisture content of less than 20%, which has been cut, split and stacked for at least 12 months. This is advertised as 'seasoned' wood. Burning wet or unseasoned wood will create tar deposits in the stove and chimney and won't produce a satisfactory heat output. Wood burns best on a bed of ash and it is therefore only necessary to remove surplus ash from the stove occasionally.

PEAT

Only to be used in turf or brick form, but the moisture content must be very low.

SMOKELESS FUEL BURNING

Anthracite is an approved natural smokeless fuel (not processed) but can vary greatly in quality and performance. It generally requires excellent air supply to maintain maximum performance and with experience we would suggest that it is used in conjunction with other approved manufactured smokeless fuels as per the HETAS approved list.

Please visit www.hetas.co.uk for an up to date list of approved Manufactured Smokeless Fuels suitable for closed appliances.

Only authorised smokeless fuels may be used in smoke control areas.

Warning! - Petroleum coke fuels or household waste must not be burnt on our appliances. Should any difficulties arise over fuel quality or suitability, consult your approved coal merchant or the Solid Fuel Advisory Service – Telephone 0800 600 000.

CAN I BURN WOOD ON MY MULTI-FUEL GRATE?

Yes. All Hunter multi-fuel appliances are capable of burning wood.

CAN I SWEEP MY CHIMNEY THROUGH THE STOVE?

Yes – it is possible to sweep the chimney through the stove.

A clip-in boiler installation should have an additional means of access to the flue system to allow cleaning – usually a soot door in the first length of flue pipe.

CAN I RUN MY BOILER STOVE DISCONNECTED?

No. The stove should not be fired with the boiler disconnected or empty, as this could cause serious damage to the appliance.

HOW MUCH SPACE WILL MY STOVE NEED?

With all our freestanding units it is safe to install with a clearance of 2" (50mm) either side and above the stove to NON Combustible material. However for optimum performance and heat output we recommend a clearance of 6" (150mm). Behind the stove there should be a clearance of 4" (100mm) to enable access to the Tertiary Air inlet.

For all our units the hearth should extend 300mm in front of the appliance (from the door opening)

SPARK GUARDS

Our multi-fuel stoves have been tested and CE certified by an approved independent testing facility, to the current CE legislation. In addition to this all of our stoves exceed the minimum efficiency requirements as set out by the English & Welsh Building Regulations part L. In order to achieve this, all of our stoves are tested as closed appliances and therefore must be documented accordingly. Some customers choose to run appliances with the doors open. In doing this they accept that the operating characteristics of the stove might change. This is a personal choice and it is the reason that we supply Spark Guards, as an option. If our stoves are run with the doors open then the

operation of the flue, ventilation to the room and the quality of the fuel will need to be very good, in order to prevent smoke spillage into the room. Not all installations will be able to achieve this.

WHAT IS A FRONT EXTENSION

Most of the Multi Fuel Herald's have the option of using one of these. It is called, an 'Extension' because it increases the fuel load size within the firebox. Especially helpful for overnight burning. Please see the page 36 for image.

WHAT IS THE DIFFERENCE BETWEEN A WOODBURNER AND A MULTI FUEL?

A wood burner can only burn well seasoned logs, and the wood is burnt on the base of the stove. You use a shovel to clean out the ash. A multi fuel stove comes with a grate where you can burn both Smokeless fuel or well seasoned logs. There is an ash pan beneath the grate for easy removal of ash.

DO I NEED TO PURCHASE A MULTI FUEL OR WOOD CONVERSION KIT?

If you have purchased a multi fuel stove and then decide you wish to convert to a pure woodburner, you would then require a wood conversion kit. And vice versa with a multi fuel kit if you wanted to change from a wood burner to multi fuel.

WHAT IS A GATHER BOX AND WHEN IS IT NEEDED?

A gather box is for rear flue installations where space is limited. It bolts directly on to the rear of the stove in place of the collar. Please see page 36 for image.

DO I NEED A DAMPER?

If your chimney has an exceptionally good draught, it may be worth fitting a damper. This helps reduce the pull on the chimney and helps keep heat within the firebox which is then transferred into the room. A damper also helps when burning wood over night as it slows the burn rate down and increases the burn time on the wood.

WHAT WARRANTY DO I GET ON MY STOVE?

All Hunter Stoves Authorised Dealers provide you with a standard 2 year warranty*. Hunter Stoves also come with a 5 year casting warranty* For full warranty specifications please visit

www.hunterstoves.co.uk

(*Naturally wearing consumables such as glass, bricks, baffles, log retainers etc are excluded from this warranty. **The casting warranty does not cover items such as grate parts etc)

For a list of authorised stockists please use our dealer locator which can be found on our website

www.hunterstoves.co.uk



Hunter Technical Key



	Kestrel	Herald 5 Inset	Herald 7 Inset	Hawk 3/3D	Hawk 4/4D	Hawk 4/4D Double single	Hawk 4/4D Double Double	Herald 4	Compact 5	Herald 5 Slimline	Herald 6	Herald 6 Double Single	Herald 6 Double Double	Herald 8 Slimline	Inglenook
output normal / max Kw	4.6-5kw	3-4kw	5kw	3.5-4.0kw	3-4-5kw	5-5.5kw	10kw	4-5kw	4.6-5kW	4-5kw	5.5-6.5kw	5.5-6.5kw	10.5kw	6kw	6-7.3kw
Efficiency on wood %	76.8	71.27	76.3	70.9	72.8	72.7	75.4	78.3	76.0	72.5	75.9	n/a	n/a	73	83.6
Flat Top	✓	✓	✓	✓	✓	✓	✓	✓	✓	✓	✓	✓	✓	✓	✓
Low Canopy Kit	~	~	~	~	•	~	~	•	~	•	•	•	•	•	•
High Canopy Kit	~	~	~	~	~	~	~	•	~	•	•	•	•	•	•
Double door option	~	✓	✓	~	~	~	~	✓	✓	✓	✓	✓	✓	✓	✓
Single door option	✓	•	•	~	~	✓	✓	•	•	•	•	•	•	•	•
Traditional door	~	~	~	✓	✓	~	~	~	~	~	~	~	~	~	~
Contemporary 'D' door	~	~	~	•	•	~	~	~	~	~	~	~	~	~	~
Crosses	~	•	•	~	~	~	~	•	•	•	•	•	•	•	•
Multi Fuel Option (Riddling Grate)	✓	✓	✓	✓	✓	✓	✓	✓	✓	✓	✓	✓	✓	✓	✓
Wood Burning only option	~	~	~	•	•	•	•	•	•	•	•	•	•	•	~
Black knob set	✓	✓	✓	✓	✓	✓	✓	✓	✓	✓	✓	✓	✓	✓	✓
Brass Knob	~	•	•	•	•	•	•	•	•	•	•	•	•	•	•
Full Brass Set	~	•	•	~	~	~	~	•	•	•	•	•	•	•	•
Flue Damper	•	~	~	•	•	•	•	•	•	•	•	•	•	•	•
Sparkguard ³	~	~	~	~	~	~	~	•	•	•	•	•	•	•	•
Multi fuel Extention	~	~	~	•	•	•	•	•	~	•	•	•	•	•	~
Flue Gather Box	•	~	~	•	•	~	~	•	•	•	•	~	~	•	~
Coloured finish	•	•	•	•	•	•	•	•	•	•	•	•	•	•	•
Non Standard Leg Height ¹	~	~	~	•	•	•	•	•	•	•	•	•	•	•	•
Clip in Boiler Option ²	~	~	~	~	~	~	~	~	~	~	•	~	~	~	~
Ventilation (mm ²)	~	~	~	~	~	225	2750	~	~	~	825	825	3025	550	1265
Leg lengths	1 1/2" - 138mm	~	~	3" - 176mm	5" - 127mm	5" - 127mm	5" - 127mm	5" - 127mm	5" - 127mm	5" - 127mm	6" - 152mm	6" - 152mm	6" - 152mm	6" - 152mm	9 1/4" - 235mm
log length (approx)	153/4-400mm	8" - 200mm	12 1/4 - 310mm	10" - 258mm	11" - 280mm	11" - 280mm	11" - 280mm	11" - 280mm	13" - 330mm	16" - 400mm	15" - 380mm	15" - 380mm	15" - 380mm	19 3/4 - 500mm	19" - 480mm

✓ = standard
 • = option
 ~ = not available

1. Optional Leg Height - you specify the size, we make to order

2. Clip in Boiler model 1.5kw to room 4.0kw (13,600btu) to water

3. Sparkguard - only available on double door options



Options



Whichever Hunter stove you choose, you have a number of options to make it perfect for your interior. Talk to your supplier about the choices available on each stove.



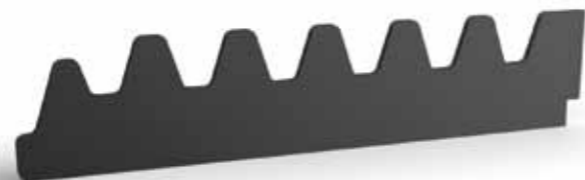
Optional spark guard (Double door only)



Optional brass door knob



Optional flue gather box, for rear flue installations and limited space installations



Optional wood front - Hawk



Optional flue damper



Optional wood front - Herald



Optional multi-fuel front extension for larger fuel loads

Here's an overview of the possibilities:

FINISHES

Every stove is built in 5mm steel, but you can choose the colour finish you'd like. (please note all are matt paint finishes)

Left to Right: MIDNIGHT (matt black), FOREST GREEN (subtle green with metallic tint), CLOUDY BLUE (grey-blue with metallic tint).



SINGLE OR DOUBLE DOOR?

Nearly all our models are available with a single door or double door. The larger models are available with a single door or double door. While the single door option provides a better viewing window, the double door gives a traditional appearance. Double doors also come with removable window crosses.



SINGLE OR DOUBLE-SIDED?

The Hawk 4 and Herald 6 can be built as double-sided stoves, which means both sides have doors. You can opt to have these in a double depth, too, so the fuel bed is larger.



CANOPY?

Most models have a matching canopy which you can choose to add to your purchase. The Inglenook has a unique canopy which enhances its cottage-style look.



Please see the key on page 36 for all options available.

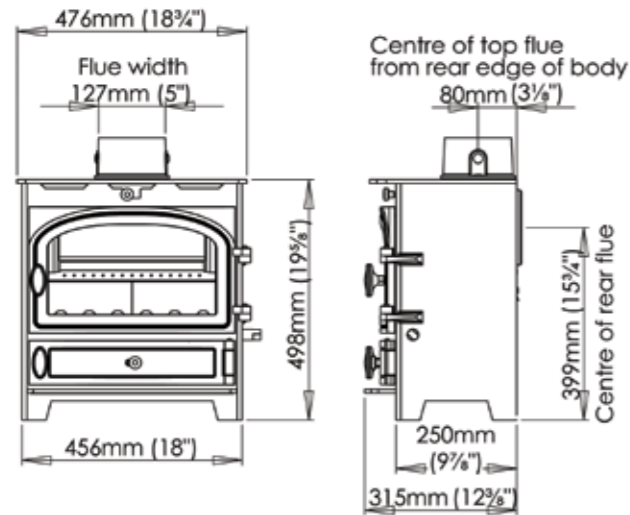


Technical Specifications



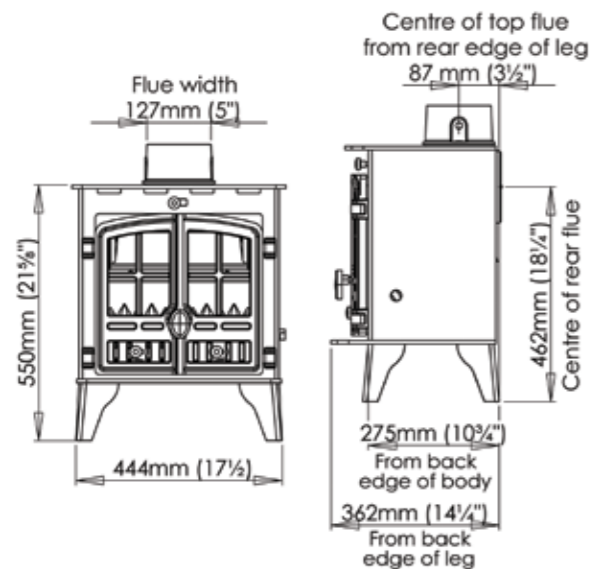
All the Living Design stoves are manufactured from high quality 5mm thick steel and have cast iron components. They feature the new Hunter Cleanburn Technology, they all burn wood, smokeless fuels and peat on a dust-free de-ashing system, and have a hot airwash system keeping the glass clean to see through.

Kestrel 5



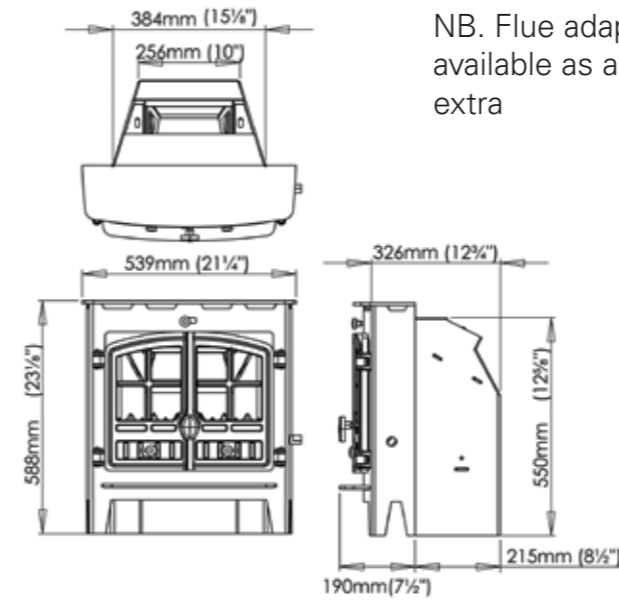
Kestrel – 75kg

Compact 5



Compact 5 mf – 99kg
Compact 5 wood – 77kg

Herald 5 Inset



NB. Flue adaptors are available as an optional extra



Inset 5 – 85kg

Important information - Herald Inset

Inset 5's are designed to fit ONLY with a chairbrick

Inset 7's are designed to fit WITHOUT a chairbrick

All inset installations must have a 'Throat Forming Lintel', if a 'Builders Opening Lintel' is present then this will have to be modified for these units to be fitted.

If you intend on fitting the flue adapter with the inset 5, please be aware that the top of the chairbrick needs to be removed.

Any queries on suitable installations please contact your local dealer.

The clearance distances to combustible material for the Inset 5 are:

315mm from the side of the stove and 460mm from the top.

This equates to : 1050mm from the floor and 569mm either side of the centreline of the stove.
The clearance distances to combustible material for the Inset 7 are:

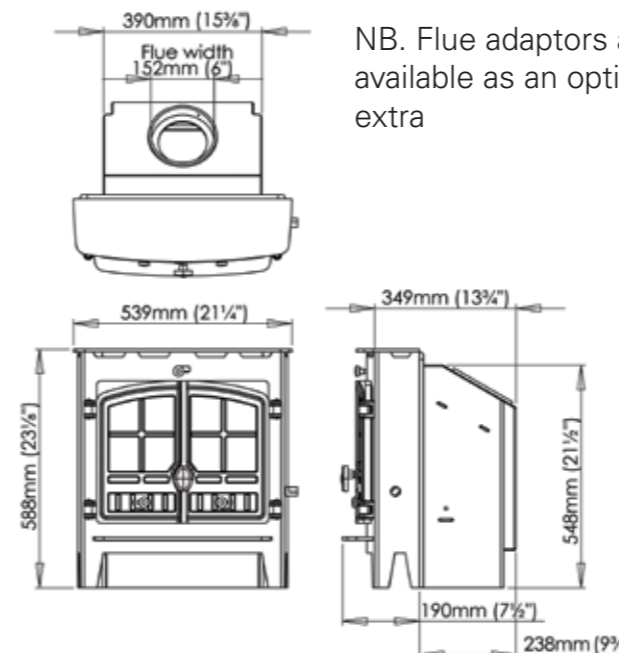
160mm from the side of the stove and 350mm from the top.

This equates to: 938mm from the floor and 429.5mm either side of the centreline of the stove.

There are many fire surrounds on the market that are only suitable for gas or electric inset fires.

Suitable surrounds for solid fuel inset appliances are usually cut in 3 sections and slabbed. For advice on a suitable surround contact your local dealer.

Herald 7 Inset

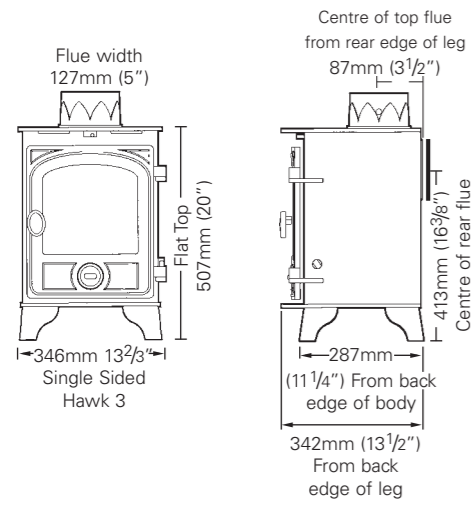


NB. Flue adaptors are available as an optional extra



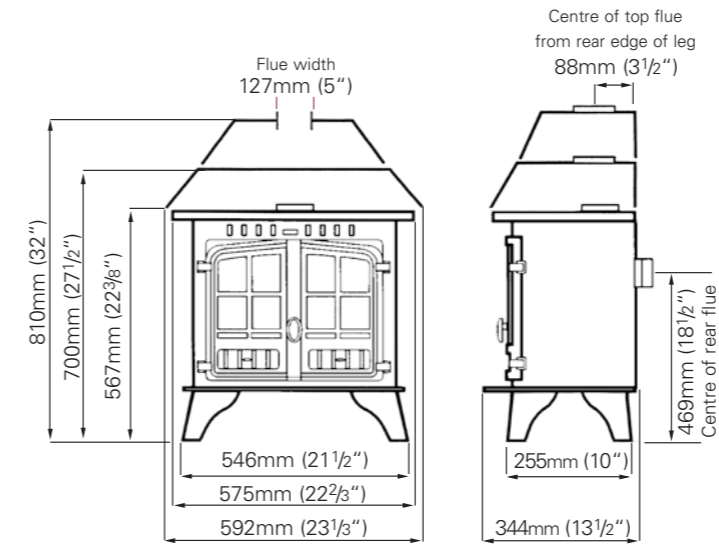
Inset 7 mf – 94kg

Hawk 3



Hawk 3 mf- 62kg
Hawk 3 wood - 53kg

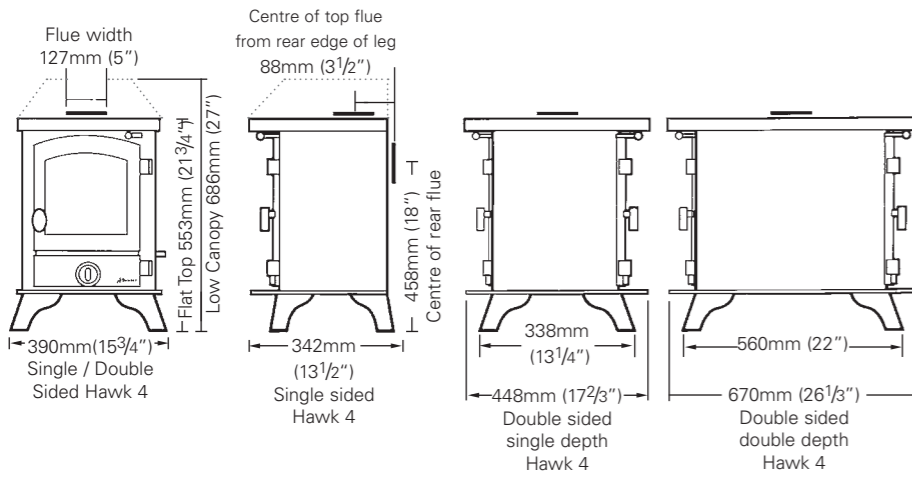
Herald 5 Slimline



Herald 5 Slim mf- 92kg
Herald 5 Slim Wood - 80kg

Hawk 4

Hawk 4 Double Sided

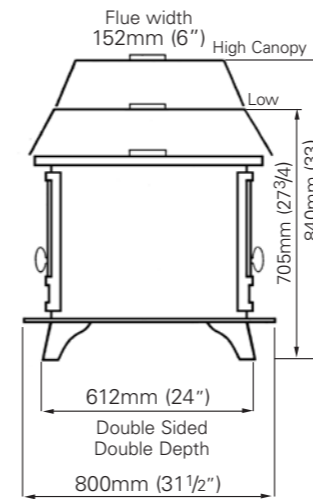
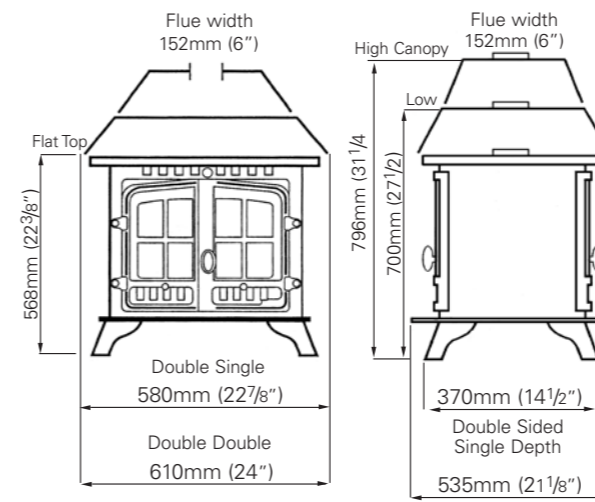


Hawk 4 Wood - 63kg
Hawk 4 multi fuel - 70kg

Hawk 4 Doule Single wood - 78kg
Hawk 4 Double Single multi fuel - 90kg

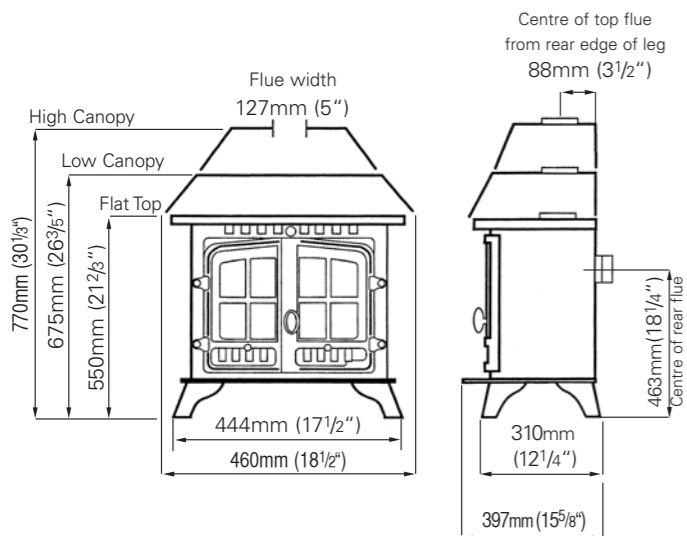
Hawk 4 Double Double Wood - 92kg
Hawk 4 Double Double multi fuel- 126kg

Herald 6 Double Sided



Herald 6 Double Single mf - 145kg
Herald 6 Double Single Wood - 106kg
Herald 6 Double Double mf - 185kg
Herald 6 Double Double wood - 163kg

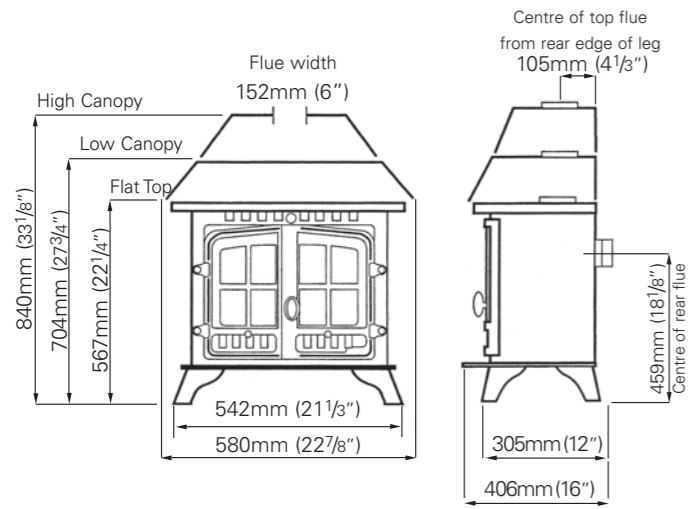
Herald 4



Herald 4 mf- 100kg
Herald 4 wood - 81kg

Please note that all weights are approximate and could vary slightly.

Herald 6 Single Sided

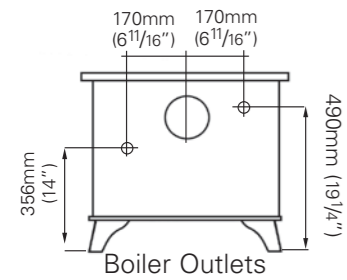


Herald 6 mf – 101kg
Herald 6 Wood – 84kg

Herald 6 Boiler Option Single Sided

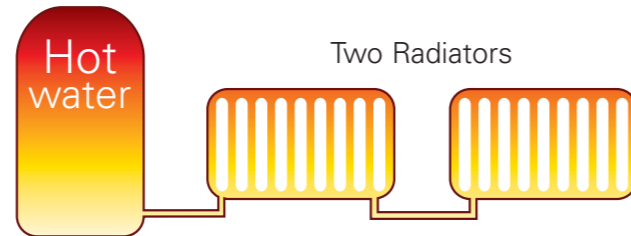
Stove dimensions as above.

Clip in boiler provides up to 13,600BTU output to water and 1.5kw to room dependent on fuel load and installation parameters

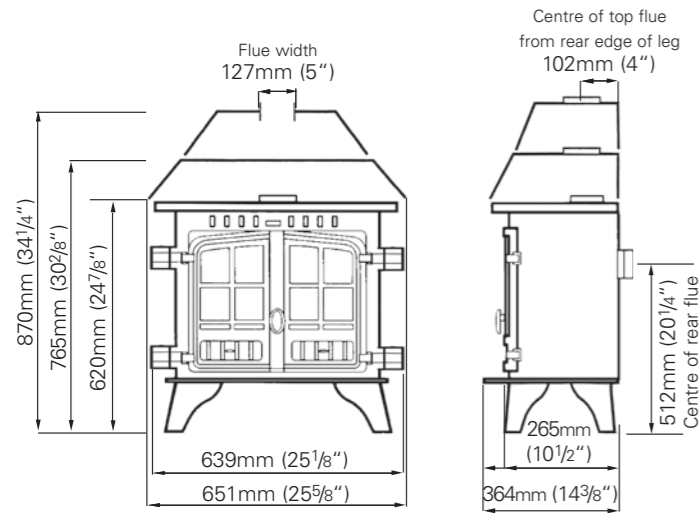


All dimensions shown are with standard leg lengths. Please see technical key for leg lengths.

Boiler Option Herald 6 only

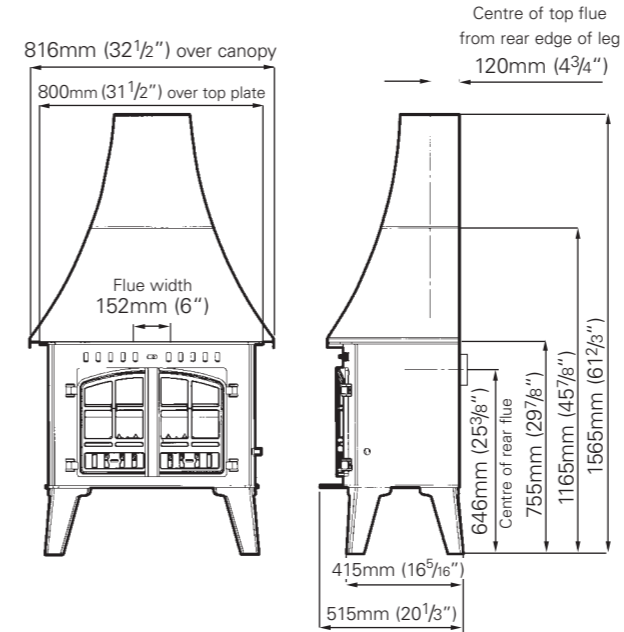


Herald 8 Slimline



Herald 8 Slim mf – 108kg
Herald 8 Slim wood – 93kg

The Inglenook



Inglenook – 143kg

Additional Information

Width of body measurement

For 3" leg lengths subtract 26 mm off leg to leg measurement to obtain body width.

For 5" leg lengths subtract 20 mm off leg to leg measurement to obtain body width.

All dimensions shown are with standard leg lengths. Please see technical key for leg lengths.

For 6" leg lengths subtract 26 mm off leg to leg measurement to obtain body width

For 9 1/4" leg lengths subtract 234 mm off leg to leg measurement to obtain body width.

NB. Please note that all weights are approximate and could vary slightly.





Hunter Stoves



Herald 6 flat Top with double plain doors

Hunter 8-14 & 80b

From the smallest to the largest, every stove has built-in features that improve its performance. For example, Cleanburn – a system designed to reduce carbon emissions from the stove. When you buy a Hunter stove, you get the full package – and a few extra surprises, too.



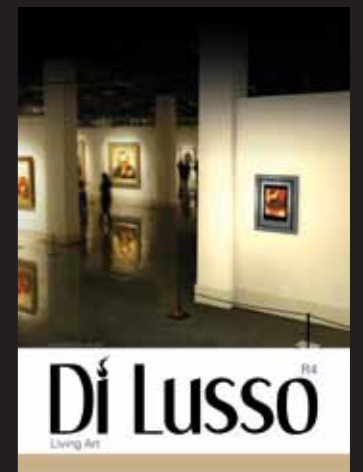
Cleanburn

Elegant Scandinavian style transforms your living space. A chic Cleanburn stove is the coolest way to warm up any room. On the outside, minimalist design is matched with user-friendly features. Inside, Tripleburn technology ensures that fuel is burned efficiently.



Di Lusso

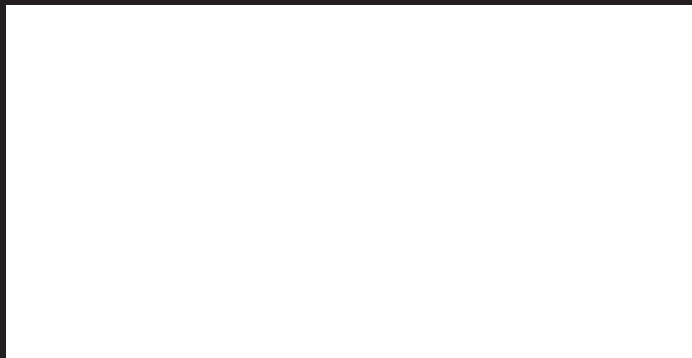
Icona Futuro . . . Designed for designers, the Di Lusso R4 epitomises smooth Italian chic. It's got the trustworthy performance of a Vespa and the smooth finish of espresso crema. This sleek, flush-to-the-wall stove brings you real flames – in a modern frame.



Heat outputs are dependent on fuel load and installation parameters. Overnight burning is dependent on fire box size, fuel load etc. Many thanks to B D Brooks Fireplaces, BWF Humphries, Focus Fireplaces for the provision of fireplaces/photography. Hunter Stoves Limited has a policy of continuous product improvement and therefore reserves the right to change specifications and designs at any time without prior notice.

Hunter Stoves Ltd. strongly recommends that the suitability of any installation should firstly be agreed with a HETAS qualified installer or similarly competent professional, to ensure compliance with the recent changes to the Building Regulations. Hunter Stoves Ltd. will not be held responsible for any losses, however arising, from inappropriate installations by unqualified or non-competent installers. An inappropriate installation may also invalidate claims made under a manufacturer's warranty or guarantee. NB. Please note that all weights are approximate and could vary slightly.

Your Local Stockist



Hunter Stoves Limited
Unit 6 Old Mill Industrial Estate
Stoke Canon
Devon EX5 4RJ